

# Datasheet F-113AI

## Mass Flow Meter for Gases

### > Introduction

Bronkhorst® model F-113AI Mass Flow Meters (MFM) are suited for precise measurement of virtually all conventional process gases. The MFM consists of a thermal mass flow sensor and a microprocessor based pc-board with signal and fieldbus conversion and a PID controller for optional mass flow control by means of a separately mounted control valve. The IN-FLOW model is of rugged design (IP65) for use in industrial environments or even Zone 2 hazardous areas, with optional ATEX Cat. 3 approval. The mass flow, expressed in normal millilitres per minute or per hour, is provided as analog signal or digitally via RS232 or fieldbus. The flow range and wetted materials are determined depending of the type of gas and the process conditions of the application.



IN-FLOW Mass Flow Meter model F-113AI

### > Technical specifications

#### Measurement / control system

Accuracy (incl. linearity) (Based on actual calibration)	: $\pm 0,5\% \text{ Rd}$ plus $\pm 0,1\% \text{ FS}$
Turndown	: 1 : 50 (in digital mode up to 1:187,5)
Multiple fluid capability	: • storage of max. 8 calibration curves • optional Multi Gas / Multi Range functionality up to 10 bar abs
Repeatability	: $< \pm 0,2\% \text{ Rd}$
Response time (SEMI-E17-00-0600-0307R)	: typical 0,5 sec
Temperature range	: $-10 \dots +70^\circ\text{C}$ for ATEX cat. 3 $0 \dots 50^\circ\text{C}$
Temperature sensitivity (nominal range)	: zero: $< \pm 0,05\% \text{ FS}/^\circ\text{C}$ ; span: $< \pm 0,05\% \text{ Rd}/^\circ\text{C}$
Pressure sensitivity	: 0,1% Rd/bar typical $\text{N}_2$ ; 0,01% Rd/bar typical $\text{H}_2$
Leak integrity (outboard)	: $< 2 \times 10^{-9} \text{ mbar l/s He}$
Attitude sensitivity	: max. error at $90^\circ$ off horizontal 0,2% FS at 1 bar, typical $\text{N}_2$
Warm-up time	: 30 min. for optimum accuracy 2 min. for accuracy $\pm 2\% \text{ FS}$

#### Mechanical parts

Material (wetted parts)	: stainless steel 316L or comparable
Pressure rating	: 100 bar abs
Process connections	: compression type or face seal male
Seals	: standard : Viton; options: EPDM, Kalrez
Ingress protection (housing)	: IP65

*Although all specifications in this datasheet are believed to be accurate, the right is reserved to make changes without notice or obligation.*

#### Electrical properties

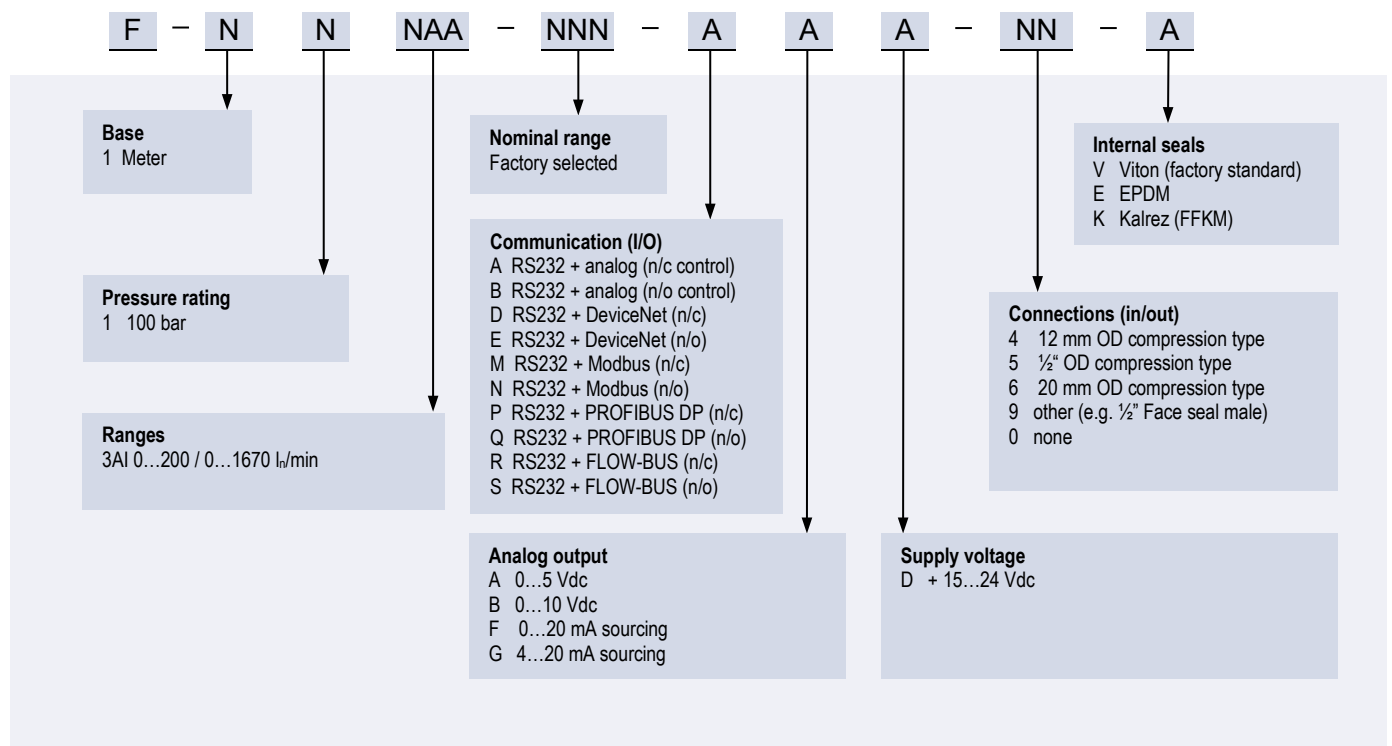
Power supply	: $+15 \dots 24 \text{ Vdc} \pm 10\%$
Power consumption	: max. 320 mA; add 50 mA for PROFIBUS, if applicable
Analog output (0...100%)	: 0...5 (10) Vdc, min. load impedance $> 2 \text{ k}\Omega$ ; 0 (4)...20 mA (sourcing), max. load impedance $< 375 \Omega$
Analog setpoint (0...100%) (for MFM + control valve)	: 0...5 (10) Vdc, min. load impedance $> 100 \text{ k}\Omega$ ; 0 (4)...20 mA, load impedance $\sim 250 \Omega$
Digital communication	: standard RS232 ; options: PROFIBUS DP, Modbus, DeviceNet™, FLOW-BUS

### > Ranges (based on Air)

Model	minimum	nominal	maximum
F-113AI-M50	4...200 $\text{l}_\text{r}/\text{min}$	4...500 $\text{l}_\text{r}/\text{min}$	4...750 $\text{l}_\text{r}/\text{min}$
F-113AI-1M0	8...400 $\text{l}_\text{r}/\text{min}$	8...1000 $\text{l}_\text{r}/\text{min}$	8...1670 $\text{l}_\text{r}/\text{min}$

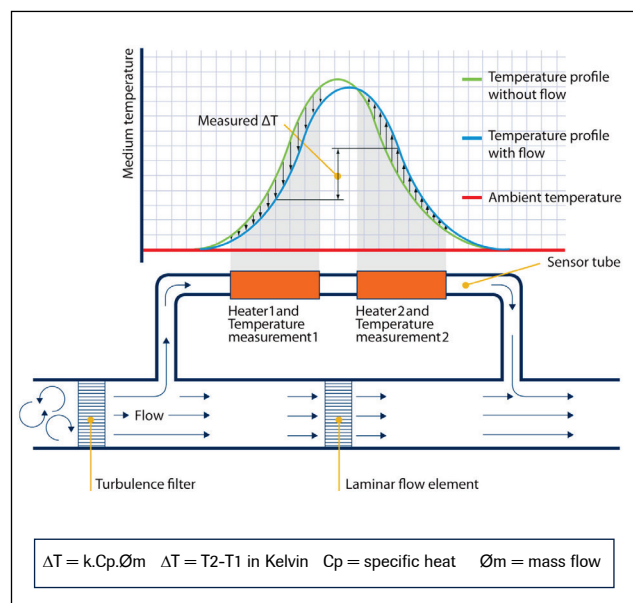
*Intermediate ranges are available*

## > Model number identification



## > Thermal mass flow measuring principle

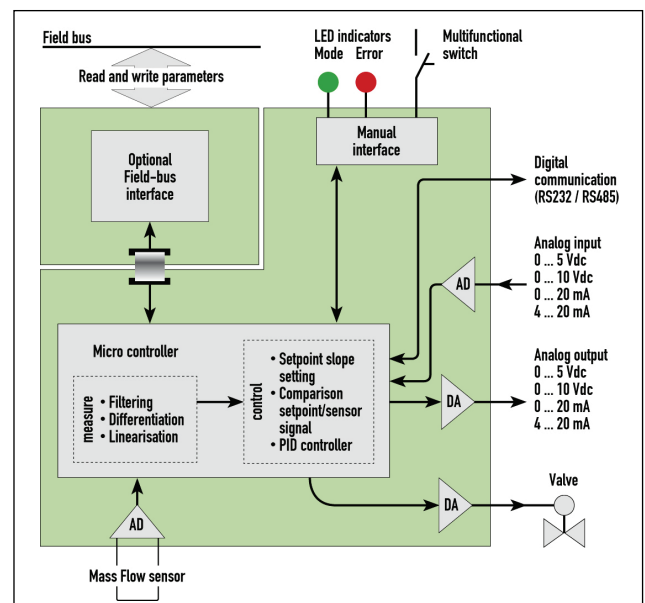
The heart of the thermal mass flow meter/controller is the sensor, that consists of a stainless steel capillary tube with resistance thermometer elements. A part of the gas flows through this bypass sensor, and is warmed up heating elements. Consequently the measured temperatures  $T_1$  and  $T_2$  drift apart. The temperature difference is directly proportional to mass flow through the sensor. In the main channel Bronkhorst High-Tech applies a patented laminar flow element consisting of a stack of stainless steel discs with precision-etched flow channels. Thanks to the perfect flow-split the sensor output is proportional to the total mass flow rate.



Functional scheme of the thermal mass flow sensor

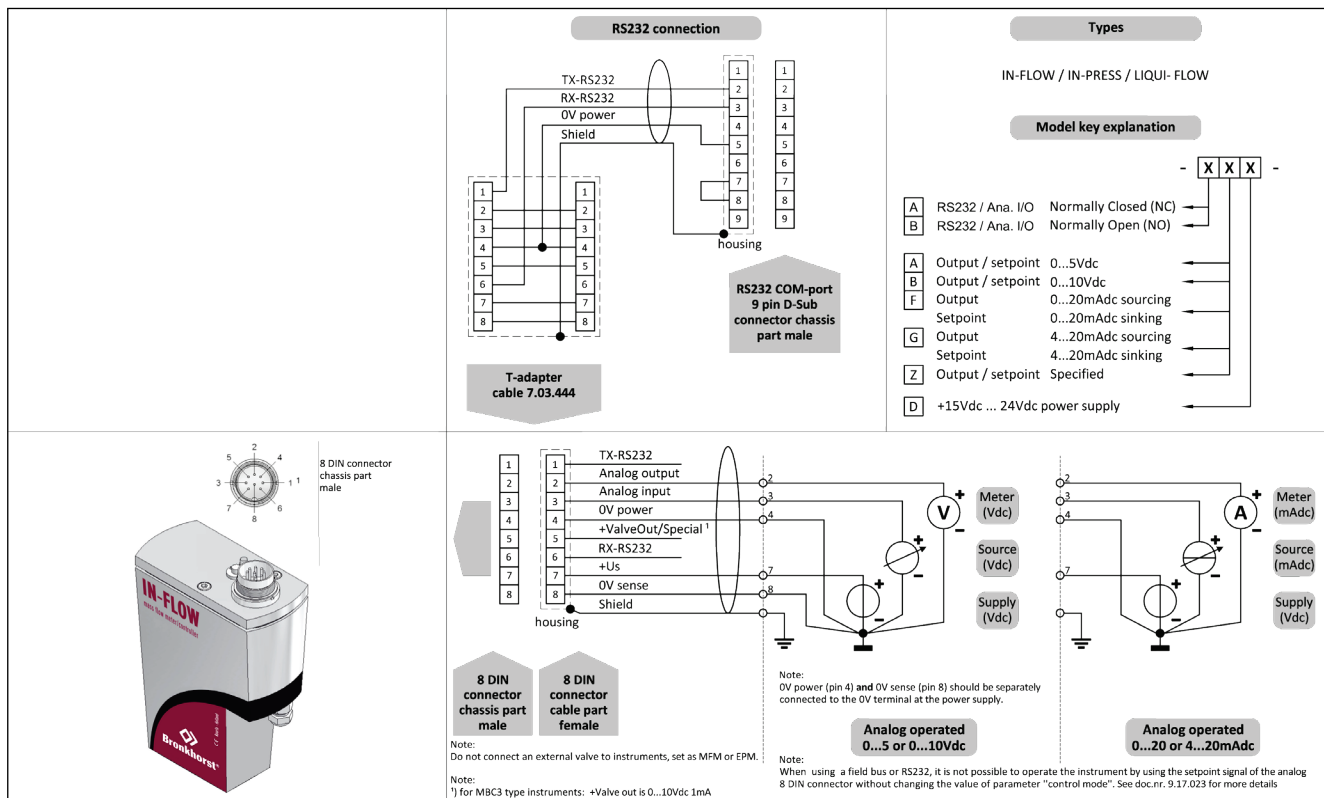
## > State of the art digital design

Today's IN-FLOW series are equipped with a digital pc-board, offering high accuracy, excellent temperature stability and fast response. The basic digital pc-board contains all of the general functions needed for measurement and control. In addition to the standard RS232 output the instruments also offer analog I/O. Furthermore, an integrated interface board provides DeviceNet™, PROFIBUS DP, Modbus-RTU/ASCII or FLOW-BUS protocols.



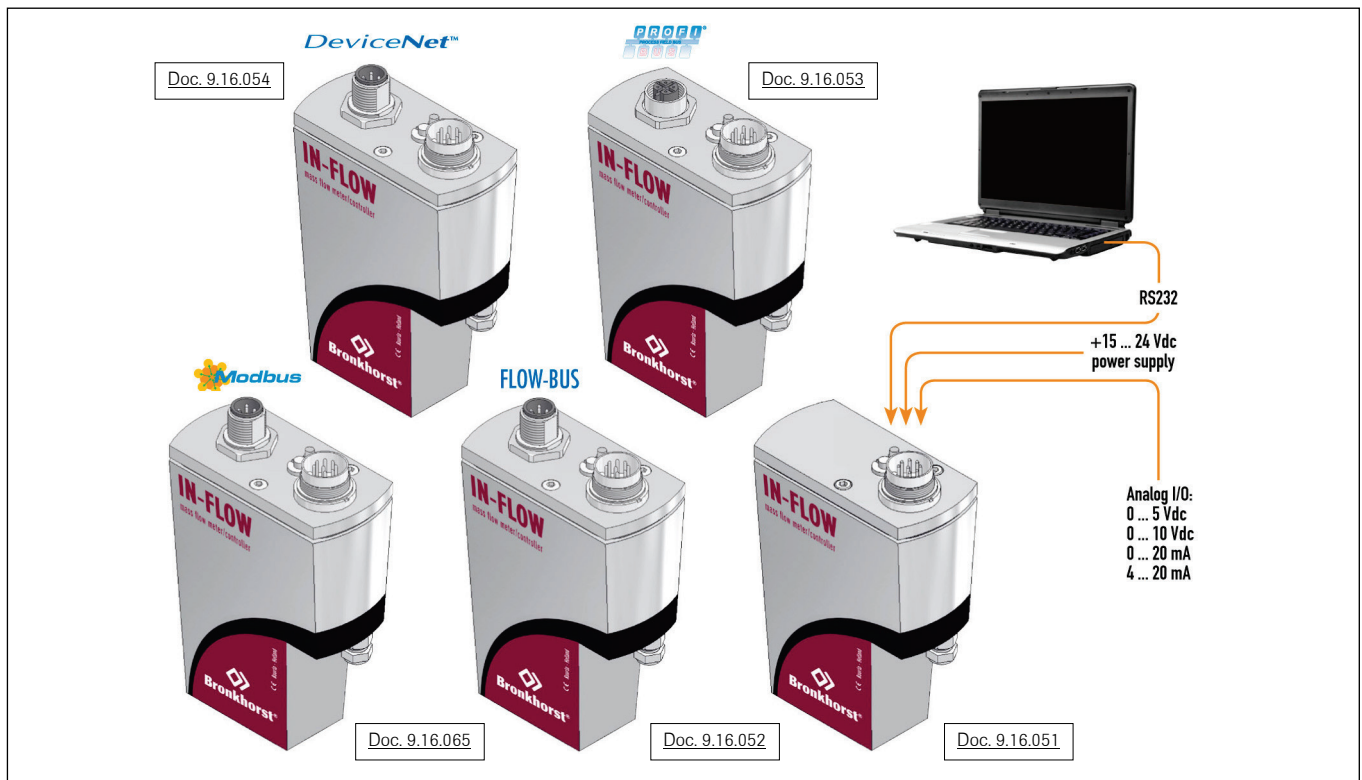
Functional scheme of the digital PC-board

## > Hook-up diagram for analog or RS232 communication

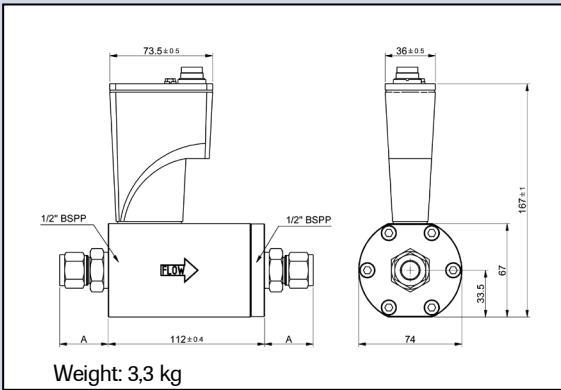


## > Hook-up diagrams for fieldbus communication

For the available fieldbus options we refer to the various hook-up diagrams as indicated below. If you are viewing this datasheet in digital format, you may use the hyperlink to each of the drawings. Otherwise please visit the download section on [www.bronkhorst.com](http://www.bronkhorst.com) or contact our local representatives.



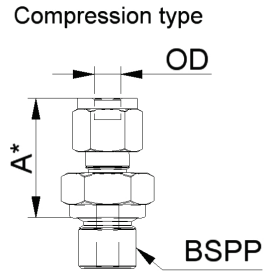
## > Dimensions (mm) and weight (kg)



Dimension table adapters (RS-type)

		1/2"BSPP
Compression type		Size A
adapter 10 mm OD		31.0
adapter 12 mm OD		33.5
adapter 20 mm OD		36.5
adapter 25 mm OD		42.0
adapter 3/8" OD		30.7
adapter 1/2" OD		33.5
adapter 3/4" OD		34.8

		1/2"BSPP
Face-seal male		A
adapter 1/2" inlet		27.6
adapter 3/4" inlet		36.5



\*) Dimension A is typical finger-tight.

## > Options and accessories

<ul style="list-style-type: none"> <li>- Multi-Gas / Multi-Range option, with free configuration software.</li> <li>- Free software support for operation, monitoring, optimizing or to interface between digital instruments and windows software.</li> </ul>	
<ul style="list-style-type: none"> <li>- IN-LINE filters for protection against particulates</li> </ul>	
<ul style="list-style-type: none"> <li>- BRIGHT compact local Readout/Control module</li> <li>- E-8000 Power Supply Power Supply / Readout system</li> </ul>	
<ul style="list-style-type: none"> <li>- Interconnecting cables for power and analog/digital communication</li> <li>- PiPS Plug-in Power Supply</li> </ul>	
<ul style="list-style-type: none"> <li>- Optional ATEX Zone 2 Cat. 3 protection. Hereto we will furnish extra cover(s) for mechanical impact protection (see pictures), including applicable certificate(s).</li> </ul>	

## > Alternatives

<ul style="list-style-type: none"> <li>- IN-FLOW<sup>CTA</sup> direct (no by-pass), industrial (IP65) Mass Flow Meter</li> </ul>	
<ul style="list-style-type: none"> <li>- IN-FLOW Mass Flow Controller with integrated control valve</li> </ul>	

